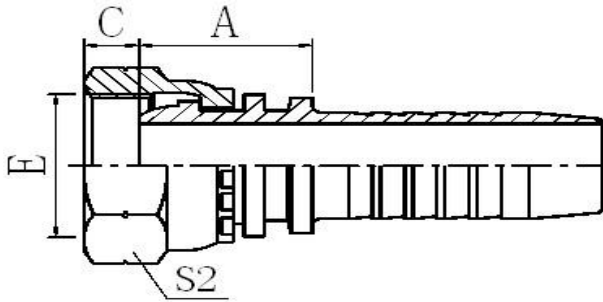


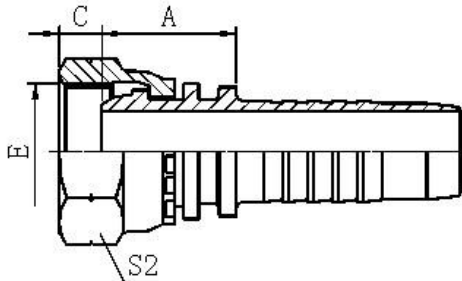
# GENESIS HOSE AND FITTINGS

## BSPFITTINGS



22111  
22111W  
22111-T  
英管内螺纹球面  
BSP FEMALE MULTISEAL

代号 PART NO.	螺纹 E THREAD E	软管 HOSE BORE		尺寸 DIMENSIONS			选中
		公称内径 DN	标号 DASH	A	C	S2	
22111-02-04	G1/8"X28	6	04	19	2	14	<input type="checkbox"/>
22111-04-03	G1/4"X19	5	03	19	4	19	<input type="checkbox"/>
22111-04-04	G1/4"X19	6	04	19.5	4	19	<input type="checkbox"/>
22111-06-05	G3/8"X19	8	05	20	5	22	<input type="checkbox"/>
22111-06-06	G3/8"X19	10	06	20.5	5	22	<input type="checkbox"/>
22111-06-08	G3/8"X19	12	08	21	5	22	<input type="checkbox"/>
22111-08-06T	G1/2"X14	10	06	22.5	6	27	<input type="checkbox"/>
22111-08-08	G1/2"X14	12	08	23	6	27	<input type="checkbox"/>
22111-08-10	G1/2"X14	16	10	24	6	27	<input type="checkbox"/>
22111-10-10	G5/8"X14	16	10	25	8	30	<input type="checkbox"/>
22111-10-12	G5/8"X14	20	12	25	8	30	<input type="checkbox"/>
22111-12-08T	G3/4"X14	12	08	25	9.5	32	<input type="checkbox"/>
22111-12-10	G3/4"X14	16	10	26	9.5	32	<input type="checkbox"/>
22111-12-12	G3/4"X14	20	12	26	9.5	32	<input type="checkbox"/>
22111-16-12T	G1"X11	20	12	26.5	11	41	<input type="checkbox"/>
22111-16-14	G1"X11	22	14	26.5	11	41	<input type="checkbox"/>
22111-16-16	G1"X11	25	16	28	11	41	<input type="checkbox"/>
22111-20-16T	G1.1/4"X11	25	16	27.5	11	50	<input type="checkbox"/>
22111-20-20W	G1.1/4"X11	32	20	31.5	10	50	<input type="checkbox"/>
22111-24-24W	G1.1/2"X11	40	24	37	11.5	55	<input type="checkbox"/>



22112  
英管内螺纹球面  
BSP FEMALE MULTISEAL

代号 PART NO.	螺纹 E THREAD E	软管 HOSE BORE		尺寸 DIMENSIONS			选中
		公称内径 DN	标号 DASH	A	S2		
22112-16-16	G1"X11	25	16	29		41	<input type="checkbox"/>
22112-20-20	G1.1/4"X11	32	20	32		50	<input type="checkbox"/>
22112-24-24	G1.1/2"X11	40	24	33		55	<input type="checkbox"/>
22112-32-32	G2"X11	50	32	36		70	<input type="checkbox"/>

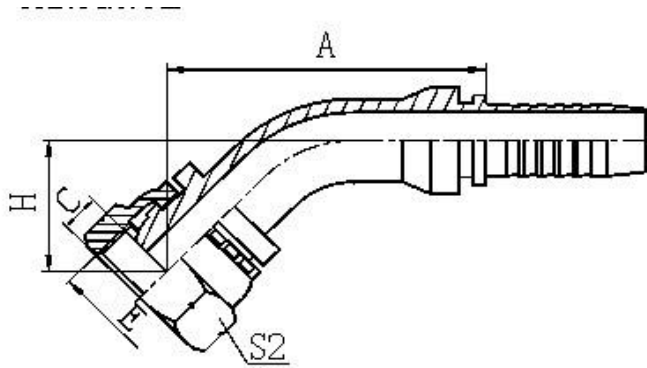
1852 CDE Taft Avenue, Pasay City Philippines

T (02) 522-8256 / 0949 2003 288

Email: [genesisequipt@gmail.com](mailto:genesisequipt@gmail.com)

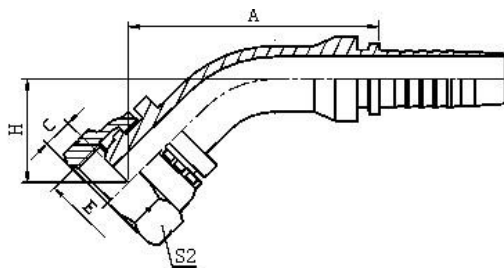
<http://genesishydraulics.ph/>

# GENESIS HOSE AND FITTINGS



22141  
22141-T  
22141-W  
45° 英管内螺纹球面  
45° BSP FEMALE MULTISEAL

代号 PART NO.	螺纹 E THREAD E	胶管 HOSE BORE		尺寸 DIMENSIONS				选中
		公称内径 DN	标号 DASH	A	C	H	S2	
22141-02-04	G1/8"X28	6	04	43.7	2	21.6	14	<input type="checkbox"/>
22141-04-03	G1/4"X19	5	03	41.3	4	20.4	19	<input type="checkbox"/>
22141-04-04	G1/4"X19	6	04	43.7	4	21.6	19	<input type="checkbox"/>
22141-06-05	G3/8"X19	8	05	46.2	5	22.9	22	<input type="checkbox"/>
22141-06-06	G3/8"X19	10	06	48.1	5	23.9	22	<input type="checkbox"/>
22141-06-08	G3/8"X19	12	08	60.4	5	25.4	22	<input type="checkbox"/>
22141-08-04T	G1/2"X14	6	04	43.9	6	23.8	27	<input type="checkbox"/>
22141-08-06T	G1/2"X14	10	06	42.5	6	18.2	27	<input type="checkbox"/>
22141-08-08	G1/2"X14	12	08	61.8	6	26.8	27	<input type="checkbox"/>
22141-08-10	G1/2"X14	16	10	73	6	29	27	<input type="checkbox"/>
22141-10-10	G5/8"X14	16	10	73.7	8	28.9	30	<input type="checkbox"/>
22141-10-12	G5/8"X14	20	12	79.8	8	32.5	30	<input type="checkbox"/>
22141-12-08T	G3/4"X14	12	08	63.2	9.5	28.3	32	<input type="checkbox"/>
22141-12-10	G3/4"X14	16	10	70.4	9.5	29.6	32	<input type="checkbox"/>
22141-12-12	G3/4"X14	20	12	80.6	9.5	33.2	32	<input type="checkbox"/>
22141-16-12	G1"X11	20	12	81.6	11	33.5	41	<input type="checkbox"/>
22141-16-14	G1"X11	22	14	83.3	11	33	41	<input type="checkbox"/>
22141-16-16	G1"X11	25	16	89.2	11	35	41	<input type="checkbox"/>
22141-20-16T	G1.1/4"X11	25	16	91.4	9.1	37.1	50	<input type="checkbox"/>
22141-20-20W	G1.1/4"X11	32	20	102.9	10	41.2	50	<input type="checkbox"/>



22142  
45° 英管内螺纹球面  
45° BSP FEMALE MULTISEAL

代号 PART NO.	螺纹 E THREAD E	软管 HOSE BORE		尺寸 DIMENSIONS			选中
		公称内径 DN	标号 DASH	A	H	S2	
22142-16-16	G1"X11	25	16	29	35	41	<input type="checkbox"/>
22142-20-20	G1.1/4"X11	32	20	32	41.2	50	<input type="checkbox"/>
22142-24-24	G1.1/2"X11	40	24	33	46.2	55	<input type="checkbox"/>
22142-32-32	G2"X11	50	32	36	54	70	<input type="checkbox"/>

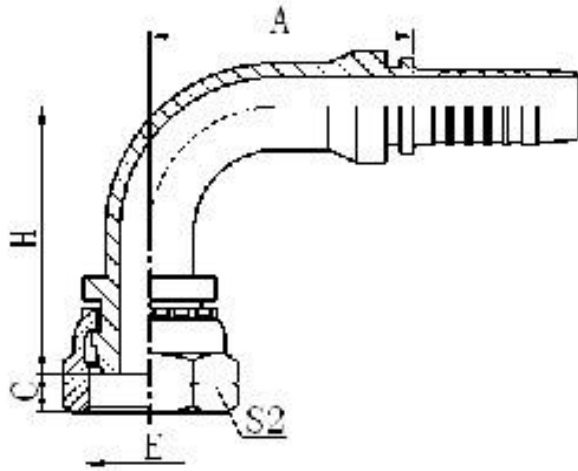
1852 CDE Taft Avenue, Pasay City Philippines

T (02) 522-8256 / 0949 2003 288

Email: [genesisequipt@gmail.com](mailto:genesisequipt@gmail.com)

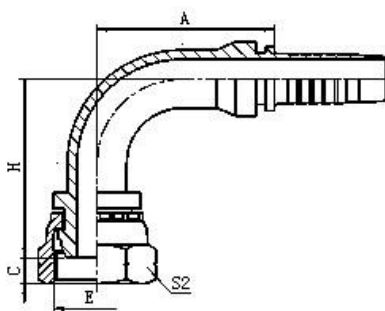
<http://genesishydraulics.ph/>

# GENESIS HOSE AND FITTINGS



22191  
22191-T  
22191-W  
90° 软管内螺纹球面  
90° BSP FEMALE MULTISEAL

代号 PART NO.	螺纹 E THREAD E	软管 HOSE BORE		尺寸 DIMENSIONS				选中
		公称内径 DN	标号 DASH	A	C	H	S2	
22191-02-04	G1/8"X28	6	04	30	2	38.5	14	<input type="checkbox"/>
22191-04-03	G1/4"X19	5	03	27	4	35	19	<input type="checkbox"/>
22191-04-04	G1/4"X19	6	04	30	4	38.5	19	<input type="checkbox"/>
22191-04-05	G1/4"X19	8	05	33	4	41.5	19	<input type="checkbox"/>
22191-06-05	G3/8"X19	8	05	33	5	42	22	<input type="checkbox"/>
22191-06-06	G3/8"X19	10	06	35.3	5	44.8	22	<input type="checkbox"/>
22191-06-08	G3/8"X19	12	08	41	5	50	22	<input type="checkbox"/>
22191-08-06T	G1/2"X14	10	06	35.3	6	46.8	27	<input type="checkbox"/>
22191-08-08	G1/2"X14	12	08	41	6	52	27	<input type="checkbox"/>
22191-08-10	G1/2"X14	16	10	56.5	6	58	27	<input type="checkbox"/>
22191-10-10	G5/8"X14	16	10	56.5	8	57.5	30	<input type="checkbox"/>
22191-10-12	G5/8"X14	20	12	65.4	8	67	30	<input type="checkbox"/>
22191-12-08T	G3/4"X14	12	08	41	9.5	52	32	<input type="checkbox"/>
22191-12-10	G3/4"X14	16	10	56.5	9.5	58.5	32	<input type="checkbox"/>
22191-12-12	G3/4"X14	20	12	65.5	9.5	68	32	<input type="checkbox"/>
22191-16-12T	G1"X11	20	12	66.2	11	68.5	41	<input type="checkbox"/>
22191-16-14	G1"X11	22	14	71.2	11	69.5	41	<input type="checkbox"/>
22191-16-16	G1"X11	25	16	76.7	11	75	41	<input type="checkbox"/>
22191-20-16T	G1.1/4"X11	25	16	76.7	10	78	50	<input type="checkbox"/>
22191-20-20W	G1.1/4"X11	32	20	92.3	10	85.3	50	<input type="checkbox"/>



22192  
90° 英管内螺纹球面  
90° BSP FEMALE MULTISEAL

代号 PART NO.	螺纹 E THREAD E	软管 HOSE BORE		尺寸 DIMENSIONS			选中
		公称内径 DN	标号 DASH	A	H	S2	
22192-16-16	G1"X11	25	16	77.7	75	41	<input type="checkbox"/>
22192-20-20	G1.1/4"X11	32	20	93.5	89	50	<input type="checkbox"/>
22192-24-24	G1.1/2"X11	40	24	109.4	104	55	<input type="checkbox"/>
22192-32-32	G2"X11	50	32	132.8	125.25	70	<input type="checkbox"/>

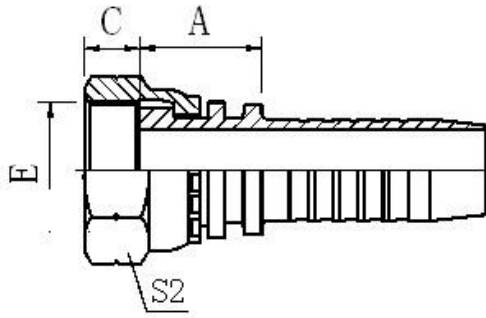
1852 CDE Taft Avenue, Pasay City Philippines

T (02) 522-8256 / 0949 2003 288

Email: [genesisequipt@gmail.com](mailto:genesisequipt@gmail.com)

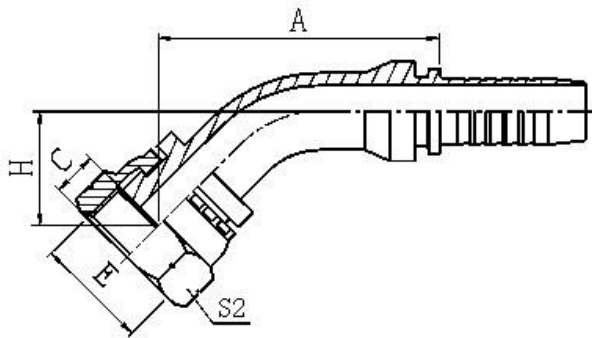
<http://genesishydraulics.ph/>

# GENESIS HOSE AND FITTINGS



22211  
英管内螺纹平面  
BSP FEMALE FLAT SEAT

代号	螺纹 E	胶管 HOSE BORE		尺寸 DIMENSIONS			选中
PART NO.	THREAD E	公称内径 DN	标号 DASH	A	C	S2	
22211-04-04	G1/4"X19	6	04	15.5	8	19	<input type="checkbox"/>
22211-04-06	G1/4"X19	10	06	15.5	8	19	<input type="checkbox"/>
22211-06-04	G3/8"X19	6	04	17	9	22	<input type="checkbox"/>
22211-06-05	G3/8"X19	8	05	17	9	22	<input type="checkbox"/>
22211-06-06	G3/8"X19	10	06	16.5	9	22	<input type="checkbox"/>
22211-06-08	G3/8"X19	12	08	17.5	9	22	<input type="checkbox"/>
22211-08-06T	G1/2"X14	10	06	18	10.5	27	<input type="checkbox"/>
22211-08-08	G1/2"X14	12	08	18.5	10.5	27	<input type="checkbox"/>
22211-10-08	G5/8"X14	12	08	20	12	30	<input type="checkbox"/>
22211-10-10	G5/8"X14	16	10	21	12	30	<input type="checkbox"/>
22211-12-08T	G3/4"X14	12	08	20.5	13.5	32	<input type="checkbox"/>
22211-12-10	G3/4"X14	16	10	21.5	13.5	32	<input type="checkbox"/>
22211-12-12	G3/4"X14	20	12	21.5	13.5	32	<input type="checkbox"/>
22211-16-12T	G1"X11	20	12	21.5	15.5	41	<input type="checkbox"/>
22211-16-16	G1"X11	25	16	23	15.5	41	<input type="checkbox"/>
22211-20-20W	G1.1/4"X11	32	20	26	15.5	50	<input type="checkbox"/>
22211-24-24W	G1.1/2"X11	40	24	27.5	17.5	55	<input type="checkbox"/>
22211-32-32W	G2"X11	50	32	30.5	23	70	<input type="checkbox"/>



22241  
45° 英管内螺纹平面  
45° BSP FEMALE FLAT SEAT

代号	螺纹 E	胶管 HOSE BORE		尺寸 DIMENSIONS				选中
PART NO.	THREAD E	公称内径 DN	标号 DASH	A	C	H	S2	
22241-04-04	G1/4"X19	6	04	40.9	8	18.8	19	<input type="checkbox"/>
22241-06-06	G3/8"X19	10	06	45.3	9	21	22	<input type="checkbox"/>
22241-08-08	G1/2"X14	12	08	58.9	10.5	24	27	<input type="checkbox"/>
22241-12-12	G3/4"X14	20	12	77.4	13.5	30	32	<input type="checkbox"/>
22241-16-16	G1"X11	25	16	82.7	15.5	31.5	41	<input type="checkbox"/>
22241-20-20W	G1.1/4"X11	32	20	97.3	15.5	36.6	50	<input type="checkbox"/>

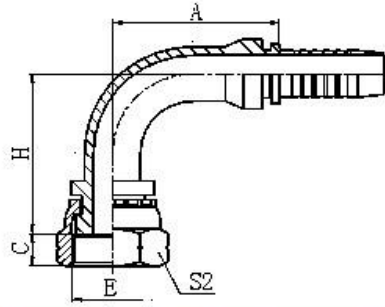
1852 CDE Taft Avenue, Pasay City Philippines

T (02) 522-8256 / 0949 2003 288

Email: [genesisequipt@gmail.com](mailto:genesisequipt@gmail.com)

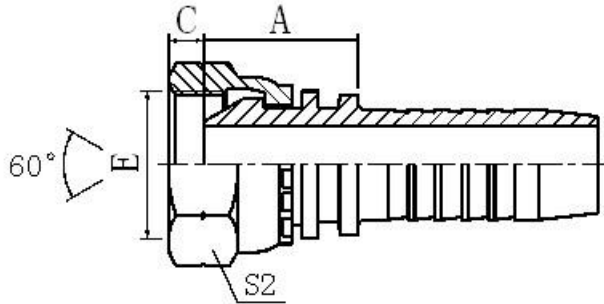
<http://genesishydraulics.ph/>

# GENESIS HOSE AND FITTINGS



22291  
90° 英管内螺纹平面  
90° BSP FEMALE FLAT SEAT

代号 PART NO.	螺纹 E THREAD E	胶管 HOSE BORE		尺寸 DIMENSIONS				选中
		公称内径 DN	标号 DASH	A	C	H	S2	
22291-04-04	G1/4"X19	6	04	30	8	34.5	19	<input type="checkbox"/>
22291-06-06	G3/8"X19	10	06	35.3	9	41.3	22	<input type="checkbox"/>
22291-08-08	G1/2"X14	12	08	41	10.5	48	27	<input type="checkbox"/>
22291-12-12	G3/4"X14	20	12	65.5	13.5	63.5	32	<input type="checkbox"/>
22291-16-16	G1"X11	25	16	76.7	15.5	70	41	<input type="checkbox"/>
22291-20-20W	G1.1/4"X11	32	20	91.5	15.5	82.5	50	<input type="checkbox"/>
22291-24-24W	G1.1/2"X11	40	24	109.4	17.5	98.5	55	<input type="checkbox"/>



22611  
22611-T  
22611-W  
英管内螺纹60° 外锥面  
BSP FEMALE 60° CONE

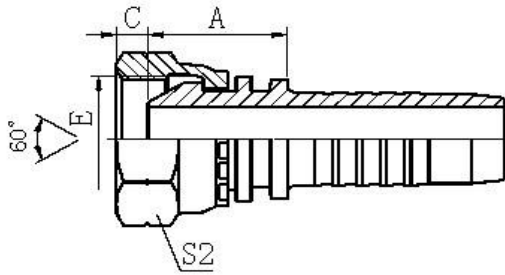
代号 PART NO.	螺纹 E THREAD E	胶管 HOSE BORE		尺寸 DIMENSIONS			选中
		公称内径 DN	标号 DASH	A	C	S2	
22611-02-03	G1/8"X28	5	03	15	5.5	14	<input type="checkbox"/>
22611-02-04	G1/8"X28	6	04	15	5.5	14	<input type="checkbox"/>
22611-04-03	G1/4"X19	5	03	17	5.5	19	<input type="checkbox"/>
22611-04-04	G1/4"X19	6	04	18	5.5	19	<input type="checkbox"/>
22611-04-05	G1/4"X19	8	05	18	5.5	19	<input type="checkbox"/>
22611-04-06	G1/4"X19	10	06	18	5.5	19	<input type="checkbox"/>
22611-06-04	G3/8"X19	6	04	19	6.3	22	<input type="checkbox"/>
22611-06-05	G3/8"X19	8	05	19	6.3	22	<input type="checkbox"/>
22611-06-06	G3/8"X19	10	06	19.5	6.3	22	<input type="checkbox"/>
22611-06-08	G3/8"X19	12	08	19.5	6.3	22	<input type="checkbox"/>
22611-08-06T	G1/2"X14	10	06	21	7.5	27	<input type="checkbox"/>
22611-08-08	G1/2"X14	12	08	21.5	7.5	27	<input type="checkbox"/>
22611-10-08	G5/8"X14	12	08	22	9.5	30	<input type="checkbox"/>
22611-10-10	G5/8"X14	16	10	23.5	9.5	30	<input type="checkbox"/>
22611-12-08T	G3/4"X14	12	08	22	10.9	32	<input type="checkbox"/>
22611-12-10	G3/4"X14	16	10	24	10.9	32	<input type="checkbox"/>
22611-12-12	G3/4"X14	20	12	24	10.9	32	<input type="checkbox"/>
22611-16-12T	G1"X11	20	12	24	11.7	41	<input type="checkbox"/>
22611-16-14	G1"X11	22	14	26	11.7	41	<input type="checkbox"/>
22611-16-16	G1"X11	25	16	27	11.7	41	<input type="checkbox"/>

T (02) 522-8256 / 0949 2003 288

Email: [genesisequipt@gmail.com](mailto:genesisequipt@gmail.com)

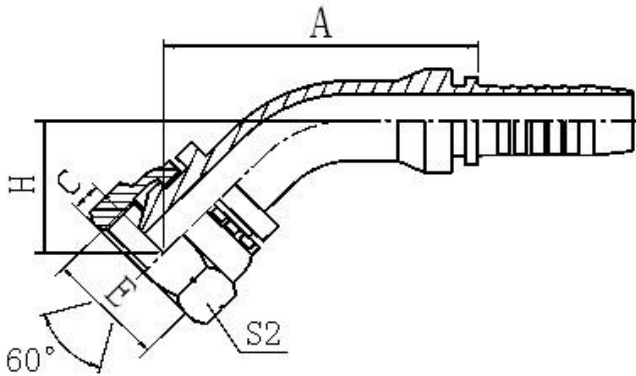
<http://genesishydraulics.ph/>

# GENESIS HOSE AND FITTINGS



22612  
英管内螺纹60° 外锥面  
BSP FEMALE 60° CONE

代号 PART NO.	螺纹 E THREAD E	软管 HOSE BORE		尺寸 DIMENSIONS		选中
		公称内径 DN	标号 DASH	A	S2	
22612-04-04	G1/4"X19	6	04	18.5	19	<input type="checkbox"/>
22612-06-06	G3/8"X19	10	06	21	22	<input type="checkbox"/>
22612-08-08	G1/2"X14	12	08	22.5	27	<input type="checkbox"/>
22612-10-10	G5/8"X14	16	10	24	30	<input type="checkbox"/>
22612-12-12	G3/4"X14	20	12	25.3	32	<input type="checkbox"/>



22641  
22641-W  
22641-T  
45° 英管内螺纹60° 外锥面  
45° BSP FEMALE 60° CONE

代号 PART NO.	螺纹 E THREAD E	胶管 HOSE BORE		尺寸 DIMENSIONS				选中
		公称内径 DN	标号 DASH	A	C	H	S2	
22641-04-04	G1/4"X19	6	04	42.3	5.5	20.2	19	<input type="checkbox"/>
22641-06-04	G3/8"X19	6	04	43.2	6.3	21	22	<input type="checkbox"/>
22641-06-05	G3/8"X19	8	05	45.3	6.3	22	22	<input type="checkbox"/>
22641-06-06	G3/8"X19	10	06	46.9	6.3	22.6	22	<input type="checkbox"/>
22641-08-06T	G1/2"X14	10	06	48.1	7.5	23.9	27	<input type="checkbox"/>
22641-08-08	G1/2"X14	12	08	61.1	7.5	26.1	27	<input type="checkbox"/>
22641-10-08	G5/8"X14	12	08	61.4	9.5	26.5	30	<input type="checkbox"/>
22641-10-10	G5/8"X14	16	10	72.6	9.5	27.8	30	<input type="checkbox"/>
22641-12-08T	G3/4"X14	12	08	61.8	10.9	26.9	32	<input type="checkbox"/>
22641-12-10	G3/4"X14	16	10	73	10.9	28.2	32	<input type="checkbox"/>
22641-12-12	G3/4"X14	20	12	79.2	10.9	31.8	32	<input type="checkbox"/>
22641-16-12T	G1"X11	20	12	80.8	11.7	33.4	41	<input type="checkbox"/>
22641-16-16	G1"X11	25	16	88.4	11.7	34.2	41	<input type="checkbox"/>
22641-20-16T	G1.1/4"X11	25	16	85.3	11	31.1	50	<input type="checkbox"/>
22641-20-20W	G1.1/4"X11	32	20	98.8	11	38	50	<input type="checkbox"/>
22641-24-24W	G1.1/2"X11	40	24	116.8	13	45.5	55	<input type="checkbox"/>
22641-32-32W	G2"X11	50	32	135.7	16	52.7	70	<input type="checkbox"/>

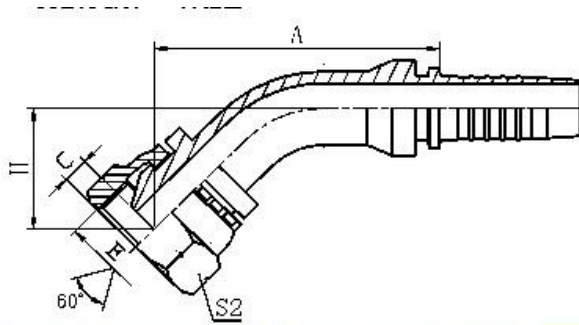
1852 CDE Taft Avenue, Pasay City Philippines

T (02) 522-8256 / 0949 2003 288

Email: [genesisequipt@gmail.com](mailto:genesisequipt@gmail.com)

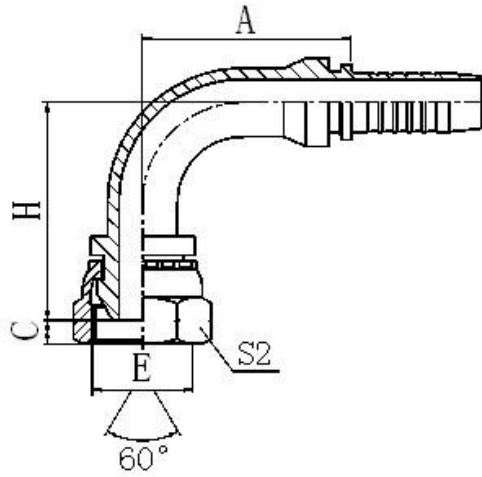
<http://genesishydraulics.ph/>

# GENESIS HOSE AND FITTINGS



22642  
45° 英管内螺纹60° 外锥面  
45° BSP FEMALE 60° CONE

代号 PART NO.	螺纹 E THREAD E	软管 HOSE BORE		尺寸 DIMENSIONS			选中
		公称内径 DN	标号 DASH	A	H	S2	
22642-04-04	G1/4"X19	6	04	18.5	20.2	19	<input type="checkbox"/>
22642-06-06	G3/8"X19	10	06	21	22.6	22	<input type="checkbox"/>
22642-08-08	G1/2"X14	12	08	22.5	26.1	27	<input type="checkbox"/>
22642-10-10	G5/8"X14	16	10	24	27.8	30	<input type="checkbox"/>
22642-12-12	G3/4"X14	20	12	25.3	31.8	32	<input type="checkbox"/>



22691  
22691-W  
22691-T  
90° 英管内螺纹60° 外锥面  
90° BSP FEMALE 60° CONE

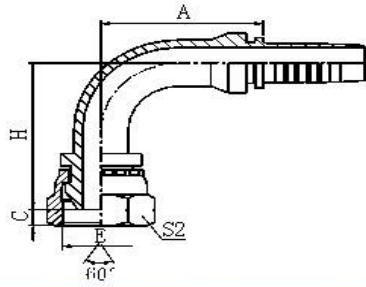
代号 PART NO.	螺纹 E THREAD E	软管 HOSE BORE		尺寸 DIMENSIONS				选中
		公称内径 DN	标号 DASH	A	C	H	S2	
22691-02-03	G1/8"X28	5	03	26.5	5.5	31.5	14	<input type="checkbox"/>
22691-02-04	G1/8"X28	6	04	30	5.5	34.5	14	<input type="checkbox"/>
22691-04-03	G1/4"X19	5	03	26.5	5.5	33.5	19	<input type="checkbox"/>
22691-04-04	G1/4"X19	6	04	30	5.5	36.5	19	<input type="checkbox"/>
22691-04-05	G1/4"X19	8	05	33	5.5	39.5	19	<input type="checkbox"/>
22691-04-06	G1/4"X19	10	06	30	5.5	36.5	19	<input type="checkbox"/>
22691-06-04	G3/8"X19	6	04	30	6.3	37.7	22	<input type="checkbox"/>
22691-06-05	G3/8"X19	8	05	33	6.3	40.7	22	<input type="checkbox"/>
22691-06-06	G3/8"X19	10	06	35.3	6.3	43	22	<input type="checkbox"/>
22691-08-06T	G1/2"X14	10	06	35.3	7	43.3	27	<input type="checkbox"/>
22691-08-08	G1/2"X14	12	08	41	7.5	51	27	<input type="checkbox"/>
22691-08-10	G1/2"X14	16	10	56.5	7.5	55.5	27	<input type="checkbox"/>
22691-10-08	G5/8"X14	12	08	41	9.5	51.5	30	<input type="checkbox"/>
22691-10-10	G5/8"X14	16	10	56.5	9.5	56	30	<input type="checkbox"/>
22691-12-08T	G3/4"X14	12	08	41	10.9	52.1	32	<input type="checkbox"/>
22691-12-10	G3/4"X14	16	10	56.5	10.9	56.6	32	<input type="checkbox"/>
22691-12-12	G3/4"X14	20	12	65.5	10.9	66	32	<input type="checkbox"/>
22691-16-12T	G1"X11	20	12	65.5	11.7	68.3	41	<input type="checkbox"/>
22691-16-14	G1"X11	22	14	71.2	11.7	69.3	41	<input type="checkbox"/>
22691-16-16	G1"X11	25	16	76.7	11.7	73.8	41	<input type="checkbox"/>

1 (02) 522-8256 / 0949 2003 288

Email: [genesisequipt@gmail.com](mailto:genesisequipt@gmail.com)

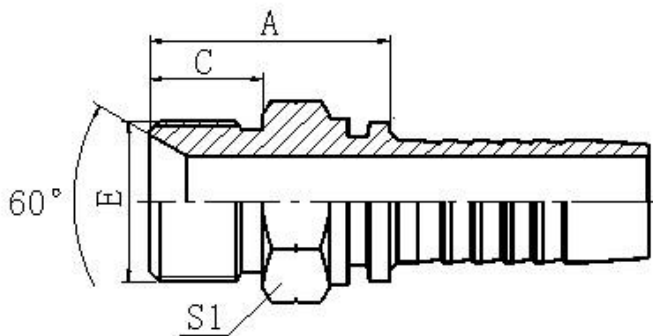
<http://genesishydraulics.ph/>

# GENESIS HOSE AND FITTINGS



22692  
90°英管内螺纹60°外锥面  
90° BSP FEMALE 60° CONE

代号 PART NO.	螺纹 E THREAD E	软管 HOSE BORE		尺寸 DIMENSIONS			选中
		公称内径 DN	标号 DASH	A	H	S2	
22692-04-04	G1/4"X19	6	04	31	36.5	19	<input type="checkbox"/>
22692-06-06	G3/8"X19	10	06	36.8	43	22	<input type="checkbox"/>
22692-08-08	G1/2"X14	12	08	42	51	27	<input type="checkbox"/>
22692-10-10	G5/8"X14	16	10	57	56	30	<input type="checkbox"/>
22692-12-12	G3/4"X14	20	12	66.8	66.1	32	<input type="checkbox"/>



12611  
英管外螺纹60°内锥面  
BSP MALE 60° CONE SEAT

代号 PART NO.	螺纹 E THREAD E	胶管 HOSE BORE		尺寸 DIMENSIONS			选中
		公称内径 DN	标号 DASH	A	C	S1	
12611-02-03	G1/8"X28	5	03	22	10	12	<input type="checkbox"/>
12611-04-04	G1/4"X19	6	04	24.5	12	14	<input type="checkbox"/>
12611-06-05	G3/8"X19	8	05	26	13.5	17	<input type="checkbox"/>
12611-06-06	G3/8"X19	10	06	27.5	13.5	17	<input type="checkbox"/>
12611-06-08	G3/8"X19	12	08	26.5	13.5	19	<input type="checkbox"/>
12611-08-06	G1/2"X14	10	06	30.5	16	22	<input type="checkbox"/>
12611-08-08	G1/2"X14	12	08	31	16	22	<input type="checkbox"/>
12611-10-08	G5/8"X14	12	08	32.5	17.5	24	<input type="checkbox"/>
12611-10-10	G5/8"X14	16	10	33.5	17.5	24	<input type="checkbox"/>
12611-12-08	G3/4"X14	12	08	35.5	18.5	27	<input type="checkbox"/>
12611-12-10	G3/4"X14	16	10	37	18.5	27	<input type="checkbox"/>
12611-12-12	G3/4"X14	20	12	36.5	18.5	27	<input type="checkbox"/>
12611-16-12	G1"X11	20	12	40.5	20.5	36	<input type="checkbox"/>
12611-16-16	G1"X11	25	16	41.5	20.5	36	<input type="checkbox"/>
12611-20-16	G1.1/4"X11	25	16	43.5	20.5	46	<input type="checkbox"/>
12611-20-20	G1.1/4"X11	32	20	44.5	20.5	46	<input type="checkbox"/>
12611-24-20	G.1/2"X11	32	20	49	23	50	<input type="checkbox"/>
12611-24-24	G.1/2"X11	40	24	46	23	50	<input type="checkbox"/>
12611-32-32	G2"X11	50	32	53.5	25.5	65	<input type="checkbox"/>

1852 CDE Taft Avenue, Pasay City Philippines

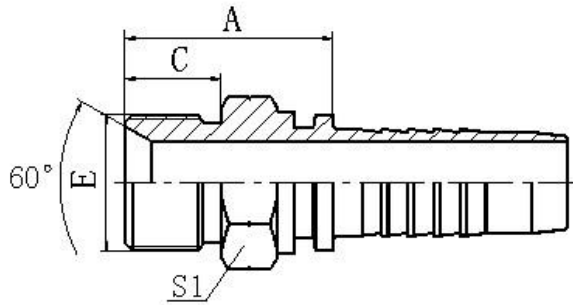
T (02) 522-8256 / 0949 2003 288

Email: [genesisequipt@gmail.com](mailto:genesisequipt@gmail.com)

<http://genesishydraulics.ph/>

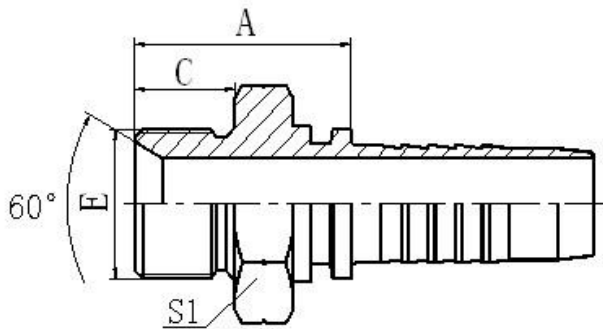


# GENESIS HOSE AND FITTINGS



12612  
英管外螺纹60°内锥面密封  
BSP MALE 60° CONE SEAT

代号 PART NO.	螺纹 E THREAD E	胶管 HOSE BORE		尺寸 DIMENSIONS			选中
		公称内径 DN	标号 DASH	A	C	S1	
12612-04-04	G1/4"X19	6	04	25.5	12	14	<input type="checkbox"/>
12612-06-06	G3/8"X19	10	06	27.5	13.5	17	<input type="checkbox"/>
12612-08-08	G1/2"X14	12	08	32	16	22	<input type="checkbox"/>
12612-10-10	G5/8"X14	16	10	34	17.5	24	<input type="checkbox"/>
12612-12-12	G3/4"X14	20	12	37.8	18.5	27	<input type="checkbox"/>
12612-16-16	G1"X11	25	16	42.5	20.5	36	<input type="checkbox"/>
12612-20-20	G1.1/4"X11	32	20	45	20.5	46	<input type="checkbox"/>
12612-24-24	G.1/2"X11	40	24	49	23	50	<input type="checkbox"/>
12612-32-32	G2"X11	50	32	54.5	25.5	65	<input type="checkbox"/>



12612A  
英管外螺纹60°内锥面或组合垫  
密封  
BSP MALE 60° CONE SEAT

代号 PART NO.	螺纹 E THREAD E	胶管 HOSE BORE		尺寸 DIMENSIONS			选中
		公称内径 DN	标号 DASH	A	C	S1	
12612A-04-04	G1/4"X19	6	04	25.5	12	19	<input type="checkbox"/>
12612A-06-06	G3/8"X19	10	06	29.5	13.5	22	<input type="checkbox"/>
12612A-08-08	G1/2"X14	12	08	34	16	27	<input type="checkbox"/>
12612A-10-10	G5/8"X14	16	10	36	17.5	30	<input type="checkbox"/>
12612A-12-12	G3/4"X14	20	12	39	18.5	32	<input type="checkbox"/>
12612A-16-16	G1"X11	25	16	44.5	20.5	41	<input type="checkbox"/>
12612A-20-20	G1.1/4"X11	32	20	47	20.5	50	<input type="checkbox"/>
12612A-24-24	G.1/2"X11	40	24	49	23	55	<input type="checkbox"/>
12612A-32-32	G2"X11	50	32	54.5	25.5	70	<input type="checkbox"/>

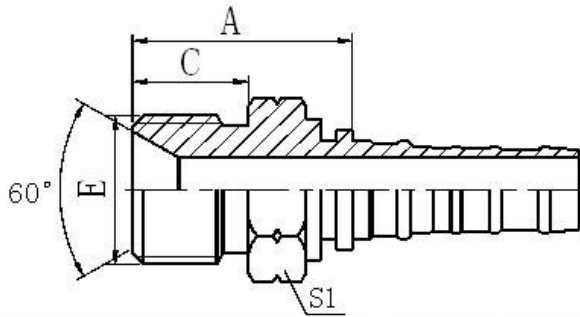
1852 CDE Taft Avenue, Pasay City Philippines

T (02) 522-8256 / 0949 2003 288

Email: [genesisequipt@gmail.com](mailto:genesisequipt@gmail.com)

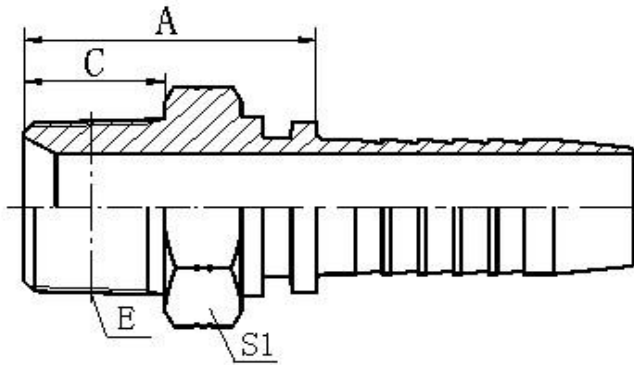
<http://genesishydraulics.ph/>

# GENESIS HOSE AND FITTINGS



12613  
英管外螺纹60°内锥面  
BSP MALE 60° CONE SEAT

代号 PART NO.	螺纹 E THREAD E	胶管 HOSE BORE		尺寸 DIMENSIONS			选中
		公称内径 DN	标号 DASH	A	C	S1	
12613-12-12	G3/4"X14	20	12	37.5	18.5	30	<input type="checkbox"/>
12613-16-16	G1"X11	25	16	41	20.5	36	<input type="checkbox"/>
12613-20-20	G1.1/4"X11	32	20	45.3	20.5	46	<input type="checkbox"/>
12613-24-24	G1.1/2"X11	40	24	49.7	23	50	<input type="checkbox"/>
12613-32-32	G2"X11	50	32	52	25.5	60	<input type="checkbox"/>



13011-SP  
英锥管外螺纹  
BSPT MALE

代号 PART NO.	螺纹 E THREAD E	胶管 HOSE BORE		尺寸 DIMENSIONS			选中
		公称内径 DN	标号 DASH	A	C	S1	
13011-02-03SP	R1/8"X28	5	03	22	10	12	<input type="checkbox"/>
13011-02-04SP	R1/8"X28	6	04	22.5	10	12	<input type="checkbox"/>
13011-04-04SP	R1/4"X19	6	04	27	14.5	14	<input type="checkbox"/>
13011-04-05SP	R1/4"X19	8	05	25	15.4	14	<input type="checkbox"/>
13011-04-06SP	R1/4"X19	10	06	27	14.5	17	<input type="checkbox"/>
13011-06-04SP	R3/8"X19	6	04	27.5	15	17	<input type="checkbox"/>
13011-06-05SP	R3/8"X19	8	05	26.5	15	17	<input type="checkbox"/>
13011-06-06SP	R3/8"X19	10	06	27.5	15	17	<input type="checkbox"/>
13011-06-08SP	R3/8"X19	12	08	30	15	19	<input type="checkbox"/>
13011-08-06SP	R1/2"X14	10	06	34.5	20	22	<input type="checkbox"/>
13011-08-08SP	R1/2"X14	12	08	35	20	22	<input type="checkbox"/>
13011-08-10SP	R1/2"X14	16	10	38	20	22	<input type="checkbox"/>
13011-08-12SP	R1/2"X14	20	12	38	20	27	<input type="checkbox"/>
13011-12-08SP	R3/4"X14	12	08	37	20	27	<input type="checkbox"/>
13011-12-10SP	R3/4"X14	16	10	38	20	27	<input type="checkbox"/>
13011-12-12SP	R3/4"X14	20	12	38.5	20	27	<input type="checkbox"/>
13011-12-16SP	R3/4"X14	25	16	39.5	20	32	<input type="checkbox"/>
13011-16-12SP	R1"X11	20	12	44	25.5	36	<input type="checkbox"/>
13011-16-16SP	R1"X11	25	16	45	25.5	36	<input type="checkbox"/>
13011-20-20SP	R1.1/4"X11	32	20	49.5	26.5	46	<input type="checkbox"/>

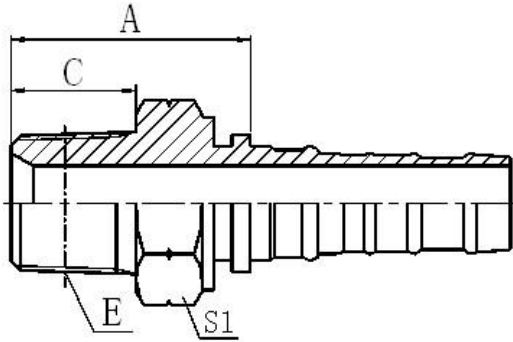
1852 CDE Taft Avenue, Pasay City Philippines

T (02) 522-8256 / 0949 2003 288

Email: [genesisequipt@gmail.com](mailto:genesisequipt@gmail.com)

<http://genesishydraulics.ph/>

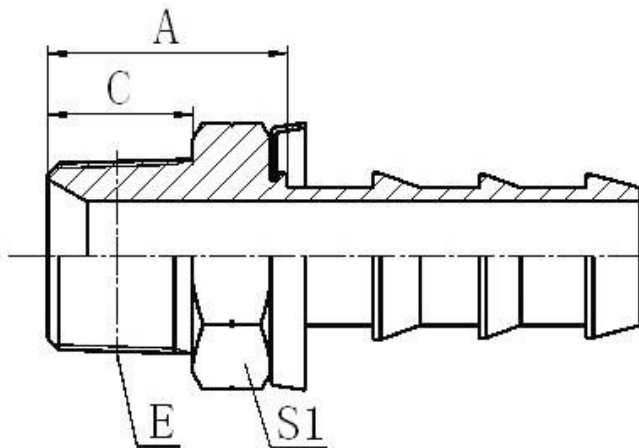
# GENESIS HOSE AND FITTINGS



13013-SP  
英锥管外螺纹  
BSPT MALE

代号 PART NO.	螺纹 E THREAD E	胶管 HOSE BORE		尺寸 DIMENSIONS			选中
		公称内径 DN	标号 DASH	A	C	S1	
13013-12-12SP	R3/4"X14	20	12	38	20	30	<input type="checkbox"/>
13013-16-16SP	R1"X11	25	16	45.9	25.5	38	<input type="checkbox"/>
13013-20-20SP	R1.1/4"X11	32	20	51.3	26.5	46	<input type="checkbox"/>
13013-24-24SP	R1.1/2"X11	40	24	53.2	26.5	50	<input type="checkbox"/>
13013-32-32SP	R2"X11	50	32	58.5	30	65	<input type="checkbox"/>

# BSPT FITTINGS



13011-SP(PO)  
英锥管外螺纹  
BSPT MALE

代号 PART NO.	螺纹 E THREAD E	胶管 HOSE BORE		尺寸 DIMENSIONS		
		公称内径 DN	标号 DASH	A	C	S1
13011-02-04SP(PO)	R1/8"X28	6	04	17.7	10	12
13011-04-04SP(PO)	R1/4"X19	6	04	20.5	14.5	14
13011-04-06SP(PO)	R1/4"X19	10	06	22	14.5	17
13011-06-06SP(PO)	R3/8"X19	10	06	23.5	15	19
13011-08-08SP(PO)	R1/2"X14	12	08	30.5	20	22
13011-12-12SP(PO)	R3/4"X14	20	12	29.4	20	30

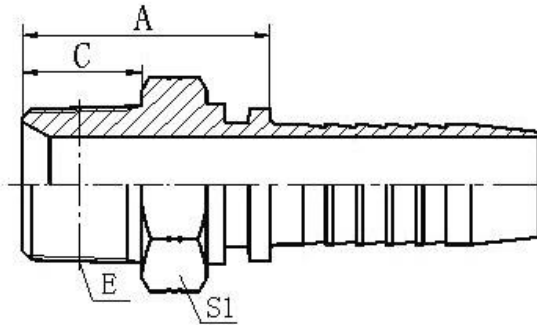
1852 CDE Taft Avenue, Pasay City Philippines

T (02) 522-8256 / 0949 2003 288

Email: [genesisequipt@gmail.com](mailto:genesisequipt@gmail.com)

<http://genesishydraulics.ph/>

# GENESIS HOSE AND FITTINGS



13011-SP  
英锥管外螺纹  
BSPT MALE

PART NO.	THREAD E	公称内径 DN	标号 DASH	A	C	S1
13011-02-03SP	R1/8"X28	5	03	22	10	12
13011-02-04SP	R1/8"X28	6	04	22.5	10	12
13011-04-04SP	R1/4"X19	6	04	27	14.5	14
13011-04-05SP	R1/4"X19	8	05	25	15.4	14
13011-04-06SP	R1/4"X19	10	06	27	14.5	17
13011-06-04SP	R3/8"X19	6	04	27.5	15	17
13011-06-05SP	R3/8"X19	8	05	26.5	15	17
13011-06-06SP	R3/8"X19	10	06	27.5	15	17
13011-06-08SP	R3/8"X19	12	08	30	15	19
13011-08-06SP	R1/2"X14	10	06	34.5	20	22
13011-08-08SP	R1/2"X14	12	08	35	20	22
13011-08-10SP	R1/2"X14	16	10	38	20	22
13011-08-12SP	R1/2"X14	20	12	38	20	27
13011-12-08SP	R3/4"X14	12	08	37	20	27
13011-12-10SP	R3/4"X14	16	10	38	20	27
13011-12-12SP	R3/4"X14	20	12	38.5	20	27
13011-12-16SP	R3/4"X14	25	16	39.5	20	32
13011-16-12SP	R1"X11	20	12	44	25.5	36
13011-16-16SP	R1"X11	25	16	45	25.5	36
13011-20-20SP	R1.1/4"X11	32	20	49.5	26.5	46

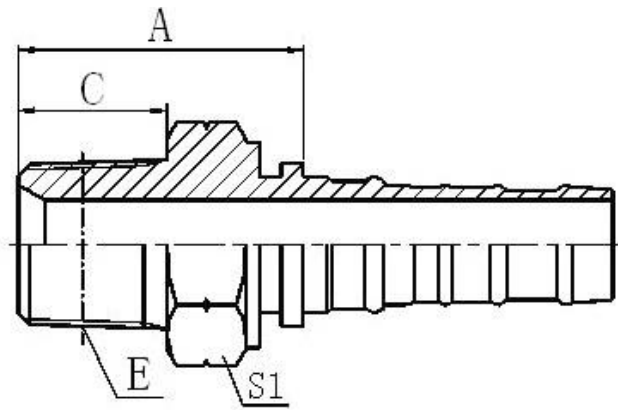
1852 CDE Taft Avenue, Pasay City Philippines

T (02) 522-8256 / 0949 2003 288

Email: [genesisequipt@gmail.com](mailto:genesisequipt@gmail.com)

<http://genesishydraulics.ph/>

# GENESIS HOSE AND FITTINGS



13013-SP  
英锥管外螺纹  
BSPT MALE

代号 PART NO.	螺纹 E THREAD E	胶管 HOSE BORE		尺寸 DIMENSIONS		
		公称内径 DN	标号 DASH	A	C	S1
13013-12-12SP	R3/4"X14	20	12	38	20	30
13013-16-16SP	R1"X11	25	16	45.9	25.5	38
13013-20-20SP	R1.1/4"X11	32	20	51.3	26.5	46
13013-24-24SP	R1.1/2"X11	40	24	53.2	26.5	50
13013-32-32SP	R2"X11	50	32	58.5	30	65

1852 CDE Taft Avenue, Pasay City Philippines

T (02) 522-8256 / 0949 2003 288

Email: [genesisequipt@gmail.com](mailto:genesisequipt@gmail.com)

<http://genesishydraulics.ph/>