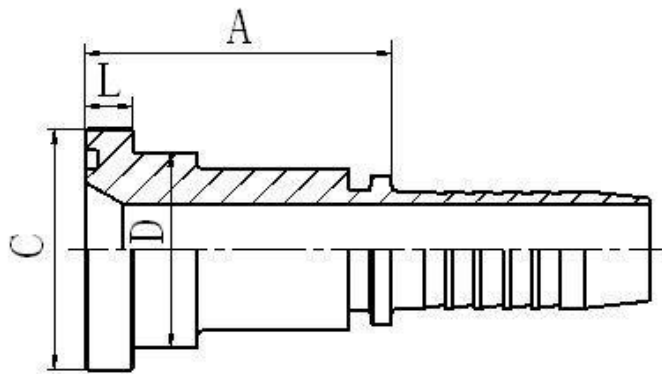


GENESIS HOSE AND FITTINGS

87311



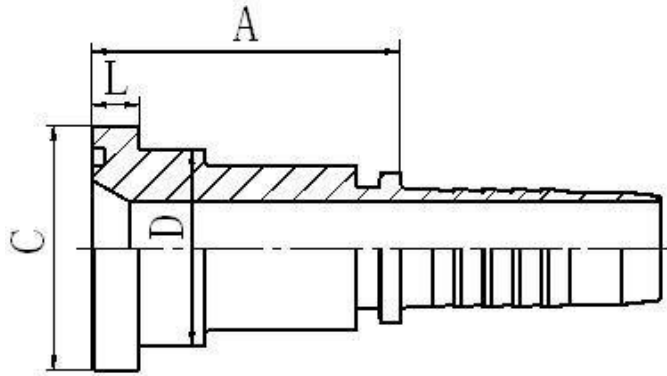
87311
SAE 法兰 3000 PSI
SAE FLANGE 3000 PSI

代号 PART NO.	法兰型号 FLANGE SIZE	胶管 HOSE BORE		尺寸 DIMENSIONS			
		公称内径 DN	标号 DASH	A	C	D	L
87311-08-08	1/2"	12	08	46	30.2	24	6.73
87311-12-08	3/4"	12	08	47	38.1	31.7	6.73
87311-12-10	3/4"	16	10	48	38.1	31.7	6.73
87311-12-12	3/4"	20	12	48	38.1	31.7	6.73
87311-12-16	3/4"	25	16	49	38.1	31.7	6.73
87311-16-12	1"	20	12	51	44.4	38	8
87311-16-16	1"	25	16	52	44.4	38	8
87311-16-20	1"	32	20	53	44.4	38	8
87311-20-16	1.1/4"	25	16	57	50.8	43	8
87311-20-20	1.1/4"	32	20	58	50.8	43	8
87311-24-20	1.1/2"	32	20	68	60.3	50	8
87311-24-24	1.1/2"	40	24	68	60.3	50	8
87311-32-24	2"	40	24	70	71.4	62	9.53
87311-32-32	2"	50	32	70	71.4	62	9.53
87311-40-40	2.1/2"	64	40	76	84.1	74	9.53

87321

1852 CDE Taft Avenue, Pasay City Philippines
T (02) 522-8256 / 0949 2003 288
Email: genesisequipt@gmail.com
<http://genesishydraulics.ph/>

GENESIS HOSE AND FITTINGS



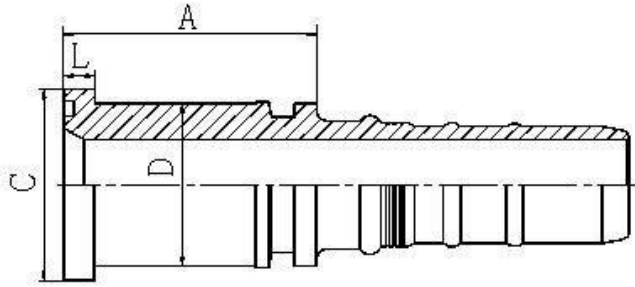
87312
SAE 法兰 3000 PSI
SAE FLANGE 3000 PSI

代号 PART NO.	法兰型号 FLANGE SIZE	胶管 HOSE BORE		尺寸 DIMENSIONS			
		公称内径 DN	标号 DASH	A	C	D	L
87312-08-08	1/2"	12	08	47	30.2	24	6.73
87312-08-12	1/2"	20	12	48.8	30.2	24	6.73
87312-12-08	3/4"	12	08	48	38.1	32	6.73
87312-12-10	3/4"	16	10	48.5	38.1	32	6.73
87312-12-12	3/4"	20	12	49.3	38.1	32	6.73
87312-12-16	3/4"	25	16	50	38.1	32	6.73
87312-16-12	1"	20	12	52.3	44.4	38	8
87312-16-16	1"	25	16	53	44.4	38	8
87312-16-20	1"	32	20	53.5	44.4	38	8
87312-20-12	1.1/4"	20	12	57.3	50.8	43	8
87312-20-16	1.1/4"	25	16	58	50.8	43	8
87312-20-20	1.1/4"	32	20	58.5	50.8	43	8
87312-20-24	1.1/4"	40	24	62	50.8	43	8
87312-24-20	1.1/2"	32	20	68.5	60.3	50	8
87312-24-24	1.1/2"	40	24	68	60.3	50	8
87312-32-24	2"	40	24	70	71.4	62	9.53
87312-32-32	2"	50	32	71	71.4	62	9.53
87312-40-32	2.1/2"	50	32	74	84.1	74	9.53

87313

1852 CDE Taft Avenue, Pasay City Philippines
T (02) 522-8256 / 0949 2003 288
Email: genesisequipt@gmail.com
<http://genesishydraulics.ph/>

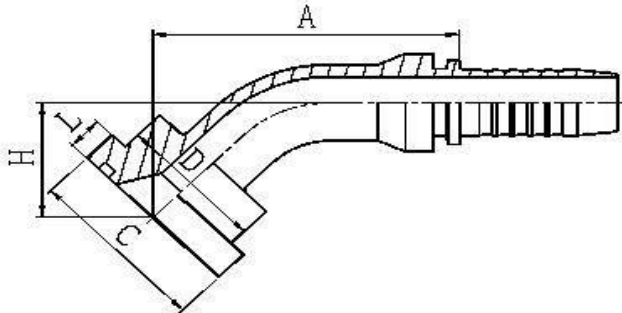
GENESIS HOSE AND FITTINGS



87313
SAE 法兰 3000 PSI
SAE FLANGE 3000 PSI

代号 PART NO.	法兰型号 FLANGE SIZE	胶管 HOSE BORE 公称内径 DN 标号 DASH		尺寸 DIMENSIONS			
				A	C	D	L
87313-12-12	3/4"	20	12	50	38.1	31.7	7
87313-16-12	1"	20	12	54	44.4	38	8.2
87313-16-16	1"	25	16	54.4	44.4	38	8.2
87313-20-16	1.1/4"	25	16	59.4	50.8	43.2	8.2
87313-20-20	1.1/4"	32	20	65.8	50.8	43.2	8.2
87313-24-20	1.1/2"	32	20	71.8	60.3	50.3	8.2
87313-24-24	1.1/2"	40	24	72.2	60.3	50.3	8.2
87313-32-24	2"	40	24	74.2	71.4	62.2	9.8
87313-32-32	2"	50	32	78.5	71.4	62.2	9.8

87341



87341
45° SAE 法兰 3000 PSI
45° SAE FLANGE 3000 PSI

代号 PART NO.	法兰型号 FLANGE SIZE	胶管 HOSE BORE 公称内径 DN 标号 DASH		尺寸 DIMENSIONS				
				A	C	D	H	L
87341-08-08	1/2"	12	08	58.2	30.2	24	23.3	6.73
87341-12-08	3/4"	12	08	58.9	38.1	31.7	24	6.73
87341-12-10	3/4"	16	10	70.1	38.1	31.7	25.3	6.73
87341-12-12	3/4"	20	12	77	38.1	31.7	28.9	6.73
87341-16-12	1"	20	12	77	44.4	38	28.9	8
87341-16-16	1"	25	16	85.2	44.4	38	29.7	8
87341-16-20	1"	32	20	94.5	44.4	38	33.8	8
87341-20-16	1.1/4"	25	16	85.2	50.8	43	29.7	8
87341-20-20	1.1/4"	32	20	94.5	50.8	43	33.8	8
87341-24-20	1.1/2"	32	20	95.9	60.3	50	35.2	8
87341-24-24	1.1/2"	40	24	109.9	60.3	50	39.1	8
87341-32-24	2"	40	24	109.9	71.4	62	39.1	9.53
87341-32-32	2"	50	32	129.3	71.4	62	46.3	9.53

1852 CDE Taft Avenue, Pasay City Philippines

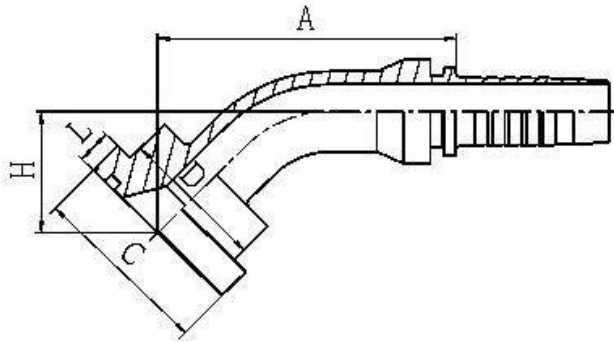
T (02) 522-8256 / 0949 2003 288

Email: genesisequipt@gmail.com

<http://genesishydraulics.ph/>

GENESIS HOSE AND FITTINGS

87342



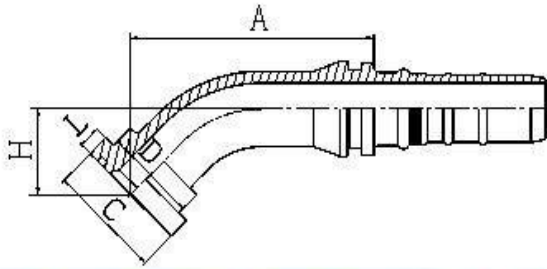
87342
45° SAE 法兰 3000 PSI
45° SAE FLANGE 3000 PSI

代号 PART NO.	法兰型号 FLANGE SIZE	胶管 HOSE BORE		尺寸 DIMENSIONS				
		公称内径 DN	标号 DASH	A	C	D	H	L
87342-08-08	1/2"	12	08	59.2	30.2	24	23.3	6.73
87342-08-12	1/2"	20	12	77.6	30.2	24	28.2	6.73
87342-12-08	3/4"	12	08	59.9	38.1	32	24	6.73
87342-12-10	3/4"	16	10	70.6	38.1	32	26	6.73
87342-12-12	3/4"	20	12	78.3	38.1	32	28.9	6.73
87342-16-12	1"	20	12	78.3	44.4	38	28.9	8
87342-16-16	1"	25	16	86.2	44.4	38	29.7	8
87342-16-20	1"	32	20	96	44.4	38	33.8	8
87342-20-16	1.1/4"	25	16	85.2	50.8	43	29.7	8
87342-20-20	1.1/4"	32	20	96.8	50.8	43	33.8	8
87342-24-20	1.1/2"	32	20	97.9	60.3	50	35.2	8
87342-24-24	1.1/2"	40	24	109.9	60.3	50	39.1	8
87342-32-24	2"	40	24	109.9	71.4	62	39.1	9.53
87342-32-32	2"	50	32	130.3	71.4	62	46.3	9.53
87342-40-32	2.1/2"	50	32	133	84.1	74	47.7	9.53

87343

1852 CDE Taft Avenue, Pasay City Philippines
T (02) 522-8256 / 0949 2003 288
Email: genesisequipt@gmail.com
<http://genesishydraulics.ph/>

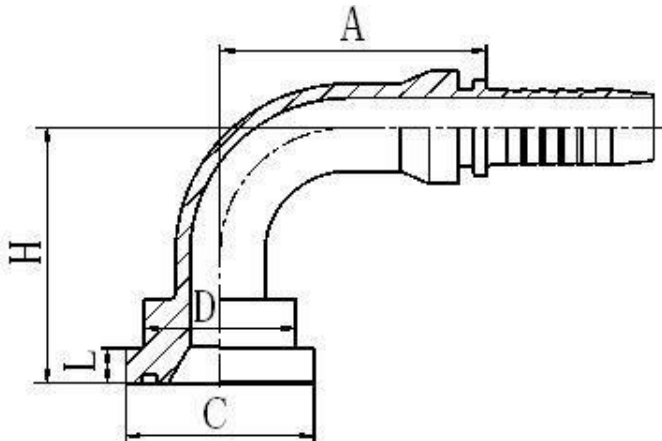
GENESIS HOSE AND FITTINGS



87343
 45° SAE 法兰 3000 PSI
 45° SAE FLANGE 3000 PSI

代号 PART NO.	法兰型号 FLANGE SIZE	软管 HOSE BORE		尺寸 DIMENSIONS				
		公称内径 DN	标号 DASH	A	C	D	H	L
87343-12-12	3/4"	20	12	85.8	38.1	31.7	28.9	7
87393-16-12	1"	20	12	85.8	44.4	38	28.9	8
87343-16-16	1"	25	16	96.1	44.4	38	29.7	8
87343-20-16	1.1/4"	25	16	96.1	50.8	43	29.7	8
87343-20-20	1.1/4"	32	20	108.8	50.8	43	33.8	8
87343-24-20	1.1/2"	32	20	110.2	60.3	50	35.2	8
87343-24-24	1.1/2"	40	24	123.7	60.3	50	39.1	8
87343-32-24	2"	40	24	123.7	71.4	62	39.1	9.53
87343-32-32	2"	50	32	148.3	71.4	62	46.3	9.53

87391



87391
 90° SAE 法兰 3000 PSI
 90° SAE FLANGE 3000 PSI

1852 CDE Taft Avenue, Pasay City Philippines
T (02) 522-8256 / 0949 2003 288
Email: genesisequipt@gmail.com
<http://genesishydraulics.ph/>

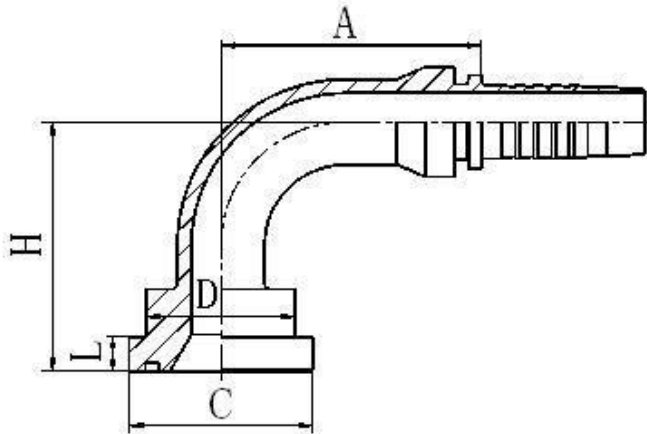
GENESIS HOSE AND FITTINGS

代号 PART NO.	法兰型号 FLANGE SIZE	胶管 HOSE BORE		尺寸 DIMENSIONS				
		公称内径 DN	标号 DASH	A	C	D	H	L
87391-08-08	1/2"	12	08	41	30.2	24	47	6.73
87391-12-08	3/4"	12	08	41	38.1	31.7	48	6.73
87391-12-10	3/4"	16	10	56.5	38.1	31.7	52.5	6.73
87391-12-12	3/4"	20	12	66.2	38.1	31.7	62	6.73
87391-12-12(H100)	3/4"	20	12	65.5	38.1	31.7	100	6.73
87391-12-12(H127)	3/4"	20	12	65.5	38.1	31.7	127	6.73
87391-12-12(H150)	3/4"	20	12	65.5	38.1	31.7	150	6.73
87391-12-16	3/4"	25	16	76.7	38.1	31.7	67.5	6.73
87391-16-12	1"	20	12	66.2	44.4	38	62	8
87391-16-16	1"	25	16	78	44.4	38	67.5	8
87391-16-16(H100)	1"	25	16	76.7	44.4	38	100	8
87391-16-16(H127)	1"	25	16	76.7	44.4	38	127	8
87391-16-16(H150)	1"	25	16	76.7	44.4	38	150	8
87391-16-20	1"	32	20	91.5	44.4	38	78.5	8
87391-20-16	1.1/4"	25	16	78	50.8	43	67.5	8
87391-20-20	1.1/4"	32	20	91.5	50.8	43	78.5	8
87391-20-20(H100)	1.1/4"	32	20	91.5	50.8	43	100	8
87391-20-20(H127)	1.1/4"	32	20	91.5	50.8	43	127	8
87391-20-20(H150)	1.1/4"	32	20	91.5	50.8	43	150	8
87391-20-24	1.1/4"	40	24	108.5	50.8	43	78.5	8

87392

1852 CDE Taft Avenue, Pasay City Philippines
T (02) 522-8256 / 0949 2003 288
Email: genesisequipt@gmail.com
<http://genesishydraulics.ph/>

GENESIS HOSE AND FITTINGS



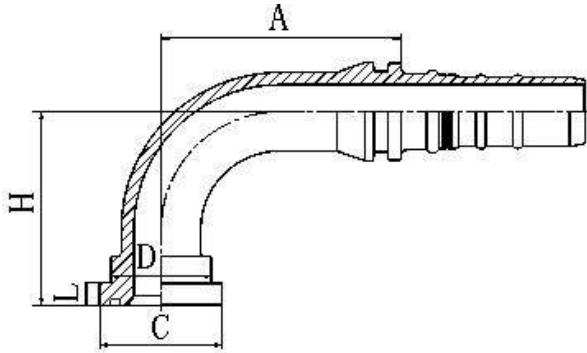
87392
90° SAE 法兰 3000 PSI
90° SAE FLANGE 3000 PSI

代号 PART NO.	法兰型号 FLANGE SIZE	胶管 HOSE BORE		尺寸 DIMENSIONS				
		公称内径 DN	标号 DASH	A	C	D	H	L
87392-08-08	1/2"	12	08	42	30.2	24	47	6.73
87392-12-08	3/4"	12	08	42	38.1	32	48	6.73
87392-12-10	3/4"	16	10	57	38.1	32	53.5	6.73
87392-12-12	3/4"	20	12	67.5	38.1	32	62	6.73
87392-12-16	3/4"	25	16	79	38.1	32	67.5	6.73
87392-16-12	1"	20	12	67.5	44.4	38	62	8
87392-16-16	1"	25	16	79	44.4	38	67.5	8
87392-16-20	1"	32	20	93.5	44.4	38	78.5	8
87392-16-24	1"	40	24	101.5	44.4	38	78.5	8
87392-20-12	1.1/4"	20	12	78.3	50.8	43	68.5	8
87392-20-16	1.1/4"	25	16	79	50.8	43	67.5	8
87392-20-20	1.1/4"	32	20	93.5	50.8	43	78.5	8
87392-24-20	1.1/2"	32	20	93.5	60.3	50	80.5	8
87392-24-24	1.1/2"	40	24	110.7	60.3	50	94	8
87392-32-24	2"	40	24	110.7	71.4	62	94	9.53
87392-32-32	2"	50	32	132.8	71.4	62	114.3	9.53
87392-40-32	2.1/2"	50	32	134.1	84.1	74	116.3	9.53

87393

1852 CDE Taft Avenue, Pasay City Philippines
T (02) 522-8256 / 0949 2003 288
Email: genesisequipt@gmail.com
<http://genesishydraulics.ph/>

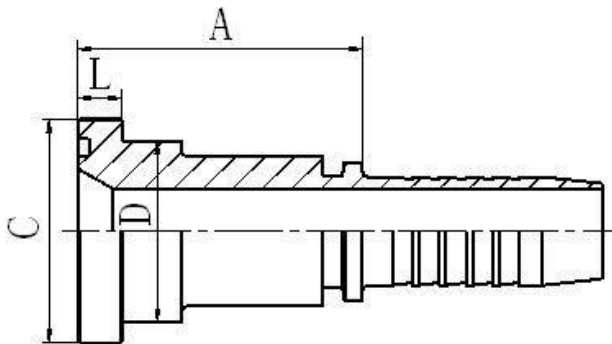
GENESIS HOSE AND FITTINGS



87393
90° SAE 法兰 3000 PSI
90° SAE FLANGE 3000 PSI

代号 PART NO.	法兰型号 FLANGE SIZE	胶管 HOSE BORE		尺寸 DIMENSIONS				
		公称内径 DN	标号 DASH	A	C	D	H	L
87393-12-12	3/4"	20	12	75	38.1	31.7	62	7
87393-16-12	1"	20	12	75	44.4	38	62	8
87393-16-16	1"	25	16	88.9	44.4	38	67.5	8
87393-20-16	1.1/4"	25	16	88.9	50.8	43	67.5	8
87393-20-20	1.1/4"	32	20	105.8	50.8	43	78.5	8
87393-24-20	1.1/2"	32	20	105.8	60.3	50	80.5	8
87393-24-24	1.1/2"	40	24	123.2	60.3	50	94	8
87393-32-24	2"	40	24	123.2	71.4	62	94	9.53
87393-32-32	2"	50	32	150.3	71.4	62	114.3	9.53

87611



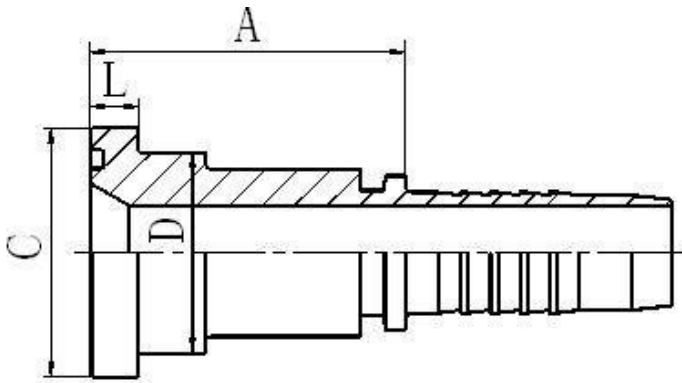
87611
SAE 法兰 6000 PSI
SAE FLANGE 6000 PSI

代号 PART NO.	法兰型号 FLANGE SIZE	胶管 HOSE BORE		尺寸 DIMENSIONS			
		公称内径 DN	标号 DASH	A	C	D	L
87611-08-08	1/2"	12	08	47	31.7	24	7.75
87611-12-10	3/4"	16	10	51	41.3	32	8.76
87611-12-12	3/4"	20	12	51	41.3	32	8.76
87611-16-12	1"	20	12	56	47.6	38	9.53
87611-16-16	1"	25	16	57	47.6	38	9.53
87611-16-20	1"	32	20	61	47.6	38	9.53
87611-20-16	1.1/4"	25	16	65	54	44	10.29
87611-20-20	1.1/4"	32	20	66	54	44	10.29
87611-24-20	1.1/2"	32	20	75	63.5	51	12.57
87611-24-24	1.1/2"	40	24	75	63.5	51	12.57
87611-32-24	2"	40	24	85	79.4	67	12.57
87611-32-32	2"	50	32	85	79.4	67	12.57

87612

1852 CDE Taft Avenue, Pasay City Philippines
T (02) 522-8256 / 0949 2003 288
Email: genesisequipt@gmail.com
<http://genesishydraulics.ph/>

GENESIS HOSE AND FITTINGS



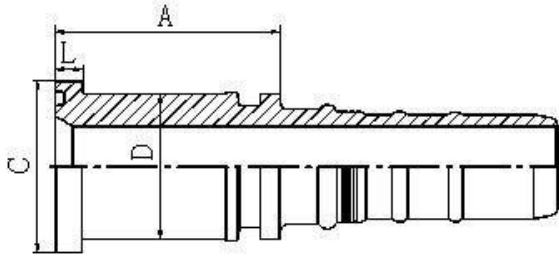
87612
SAE 法兰 6000 PSI
SAE FLANGE 6000 PSI

代号 PART NO.	法兰型号 FLANGE SIZE	胶管 HOSE BORE		尺寸 DIMENSIONS			
		公称内径 DN	标号 DASH	A	C	D	L
87612-08-08	1/2"	12	08	48	31.7	24	7.75
87612-12-10	3/4"	16	10	51.5	41.3	32	8.76
87612-12-12	3/4"	20	12	52.3	41.3	32	8.76
87612-12-16	3/4"	25	16	53	41.3	32	8.76
87612-16-12	1"	20	12	57.3	47.6	38	9.53
87612-16-16	1"	25	16	58	47.6	38	9.53
87612-16-20	1"	32	20	65	47.6	38	9.53
87612-20-16	1.1/4"	25	16	66	54	44	10.29
87612-20-20	1.1/4"	32	20	66.5	54	44	10.29
87612-20-24	1.1/4"	40	24	69	54	44	10.29
87612-24-16	1.1/2"	25	16	75	63.5	51	12.57
87612-24-20	1.1/2"	32	20	75.5	63.5	51	12.57
87612-24-24	1.1/2"	40	24	75	63.5	51	12.57
87612-24-32	1.1/2"	50	32	79.5	63.5	51	12.57
87612-32-20	2"	32	20	85.5	79.4	67	12.57
87612-32-24	2"	40	24	85	79.4	67	12.57
87612-32-32	2"	50	32	86	79.4	67	12.57

87613

1852 CDE Taft Avenue, Pasay City Philippines
T (02) 522-8256 / 0949 2003 288
Email: genesisequipt@gmail.com
<http://genesishydraulics.ph/>

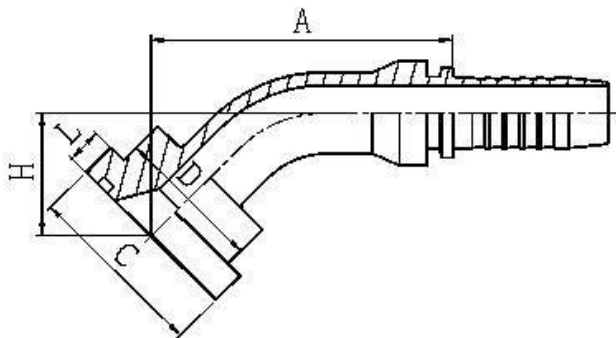
GENESIS HOSE AND FITTINGS



87613
SAE 法兰 6000 PSI
SAE FLANGE 6000 PSI

代号 PART NO.	法兰型号 FLANGE SIZE	胶管 HOSE BORE		尺寸 DIMENSIONS			
		公称内径 DN	标号 DASH	A	C	D	L
87613-12-12	3/4"	20	12	53	41.3	32	8.76
87613-16-12	1"	20	12	58	47.6	38	9.53
87613-16-16	1"	25	16	59.4	47.6	38	9.53
87613-20-16	1.1/4"	25	16	67.4	54	44	10.29
87613-20-20	1.1/4"	32	20	69.8	54	44	10.29
87613-20-24	1.1/4"	40	24	74.7	54	44	10.29
87613-24-20	1.1/2"	32	20	78.8	63.5	51	12.57
87613-24-24	1.1/2"	40	24	78.7	63.5	51	12.57
87613-32-24	2"	40	24	91.2	79.4	67	12.57
87613-32-32	2"	50	32	91	79.4	67	12.57

87641



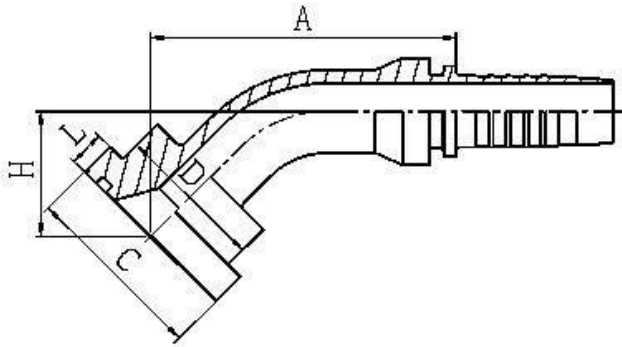
87641
45° SAE 法兰 6000 PSI
45° SAE FLANGE 6000 PSI

代号 PART NO.	法兰型号 FLANGE SIZE	胶管 HOSE BORE		尺寸 DIMENSIONS				
		公称内径 DN	标号 DASH	A	C	D	H	L
87641-08-08	1/2"	12	08	58.9	31.7	24	24	7.75
87641-08-12	1/2"	20	12	74.9	31.7	24	27.5	7.75
87641-12-10	3/4"	16	10	72.5	41.3	32	28.2	8.76
87641-12-12	3/4"	20	12	79.2	41.3	32	31.8	8.76
87641-16-16	1"	25	16	90.2	47.6	38	34.7	9.53
87641-20-20	1.1/4"	32	20	103.8	54	44	41.5	10.29
87641-24-20	1.1/2"	32	20	105.8	63.5	51	45.1	12.57
87641-24-24	1.1/2"	40	24	116.2	63.5	51	45.5	12.57
87641-32-24	2"	40	24	125.4	79.4	67	54.7	12.57
87641-32-32	2"	50	32	135.7	79.4	67	52.7	12.57

87642

1852 CDE Taft Avenue, Pasay City Philippines
T (02) 522-8256 / 0949 2003 288
Email: genesisequipt@gmail.com
<http://genesishydraulics.ph/>

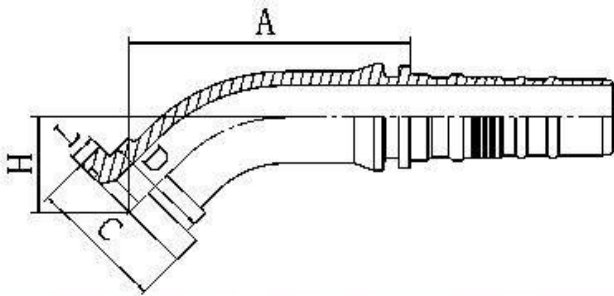
GENESIS HOSE AND FITTINGS



87642
45° SAE 法兰 6000 PSI
45° SAE FLANGE 6000 PSI

代号 PART NO.	法兰型号 FLANGE SIZE	胶管 HOSE BORE						
		公称内径 DN	标号 DASH	A	C	D	H	L
87642-08-08	1/2"	12	08		31.7	24		7.75
87642-12-12	3/4"	20	12	81.2	41.3	32	31.8	8.76
87642-16-12	1"	20	12	83.2	47.6	38	33.9	9.53
87642-16-16	1"	25	16	91.2	47.6	38	34.7	9.53
87642-20-16	1.1/4"	25	16	94.3	54	44	37.5	10.29
87642-20-20	1.1/4"	32	20	104.3	54	44	41.5	10.29
87642-24-20	1.1/2"	32	20	107.8	63.5	51	45.1	12.57
87642-24-24	1.1/2"	40	24	119.8	63.5	51	49	12.57
87642-32-24	2"	40	24	125.4	79.4	67	54.7	12.57
87642-32-32	2"	50	32	145.8	79.4	67	61.9	12.57

87643



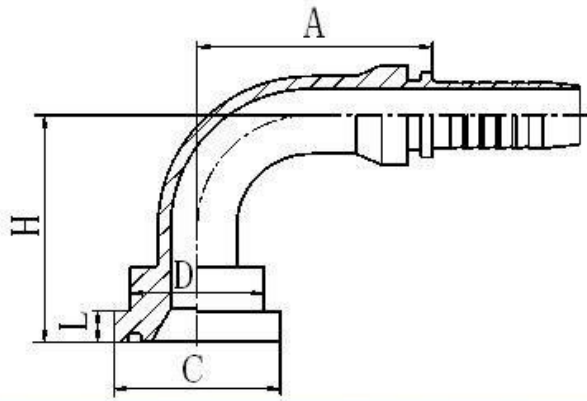
87643
45° SAE 法兰 6000 PSI
45° SAE FLANGE 6000 PSI

代号 PART NO.	法兰型号 FLANGE SIZE	胶管 HOSE BORE		尺寸 DIMENSIONS				
		公称内径 DN	标号 DASH	A	C	D	H	L
87643-12-12	3/4"	20	12	88.7	41.3	32	31.8	8.76
87643-16-12	1"	20	12	90.8	47.6	38	33.2	9.53
87643-16-16	1"	25	16	101.1	47.6	38	34.7	9.53
87643-20-16	1.1/4"	25	16	103.9	54	44	37.5	10.29
87643-20-20	1.1/4"	32	20	116.6	54	44	41.5	10.29
87643-24-20	1.1/2"	32	20	120.1	63.5	51	45.1	12.57
87643-24-24	1.1/2"	40	24	134.6	63.5	51	49	12.57
87643-32-24	2"	40	24	140.2	79.4	67	54.7	12.57
87643-32-32	2"	50	32	163.3	79.4	67	61.9	12.57

87691

1852 CDE Taft Avenue, Pasay City Philippines
T (02) 522-8256 / 0949 2003 288
Email: genesisequipt@gmail.com
<http://genesishydraulics.ph/>

GENESIS HOSE AND FITTINGS



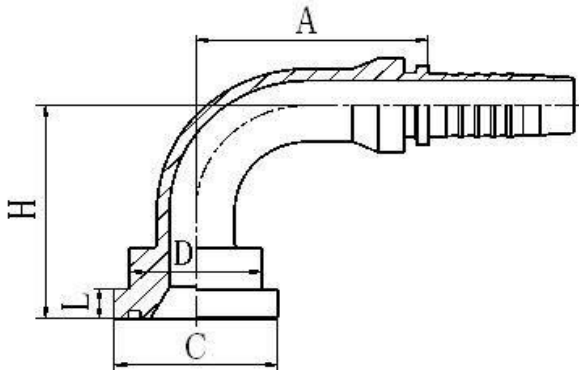
87691
90° SAE 法兰 6000 PSI
90° SAE FLANGE 6000 PSI

代号 PART NO.	法兰型号 FLANGE SIZE	胶管 HOSE BORE		尺寸 DIMENSIONS				
		公称内径 DN	标号 DASH	A	C	D	H	L
87691-08-08	1/2"	12	08	41	31.7	24	48	7.75
87691-12-10	3/4"	16	10	56.5	41.3	32	56.5	8.76
87691-12-12	3/4"	20	12	66.2	41.3	32	66	8.76
87691-16-12	1"	20	12	66.2	47.6	38	69	9.53
87691-16-16	1"	25	16	78	47.6	38	74.5	9.53
87691-16-20	1"	32	20	91.5	47.6	38	85.5	9.53
87691-20-16	1.1/4"	25	16	78	54	44	78.5	10.29
87691-20-20	1.1/4"	32	20	91.5	54	44	89.5	10.29
87691-24-20	1.1/2"	32	20	91.5	63.5	51	94.5	12.57
87691-24-24	1.1/2"	40	24	109.4	63.5	51	108	12.57
87691-32-24	2"	40	24	109.4	79.4	67	116	12.57
87691-32-32	2"	50	32	131.8	79.4	67	136.3	12.57

87692

1852 CDE Taft Avenue, Pasay City Philippines
T (02) 522-8256 / 0949 2003 288
Email: genesisequipt@gmail.com
<http://genesishydraulics.ph/>

GENESIS HOSE AND FITTINGS



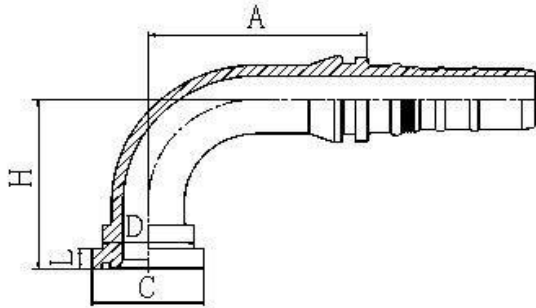
87692
90° SAE 法兰 6000 PSI
90° SAE FLANGE 6000 PSI

代号 PART NO.	法兰型号 FLANGE SIZE	胶管 HOSE BORE		尺寸 DIMENSIONS				
		公称内径 DN	标号 DASH	A	C	D	H	L
87692-08-08	1/2"	12	08	42	31.7	24	49	7.75
87692-12-10	3/4"	16	10	57	41.3	32	56.5	8.76
87692-12-12	3/4"	20	12	67.5	41.3	32	66	8.76
87692-12-16	3/4"	25	16	79	41.3	32	71.5	8.76
87692-16-12	1"	20	12	67.5	47.6	38	69	9.53
87692-16-16	1"	25	16	79	47.6	38	74.5	9.53
87692-16-20	1"	32	20	93	47.6	38	85.5	9.53
87692-20-12	1.1/4"	20	12	67.5	54	44	73	10.29
87692-20-16	1.1/4"	25	16	78	54	44	78.5	10.29
87692-20-20	1.1/4"	32	20	93.5	54	44	89.5	10.29
87692-20-24	1.1/4"	40	24	101.5	54	44	89.5	10.29
87692-24-20	1.1/2"	32	20	93.5	63.5	51	94.5	12.57
87692-24-24	1.1/2"	40	24	109.4	63.5	51	108	12.57
87692-24-32	1.1/2"	50	32	124	63.5	51	108	12.57
87692-32-20	2"	32	20	93.5	79.4	67	102.5	12.57
87692-32-24	2"	40	24	109.4	79.4	67	116	12.57
87692-32-32	2"	50	32	133	79.4	67	136.3	12.57

87693

1852 CDE Taft Avenue, Pasay City Philippines
T (02) 522-8256 / 0949 2003 288
Email: genesisequipt@gmail.com
<http://genesishydraulics.ph/>

GENESIS HOSE AND FITTINGS



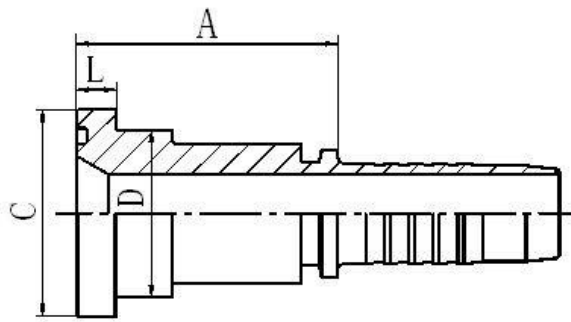
87693
90° SAE 法兰 6000 PSI
90° SAE FLANGE 6000 PSI

代号 PART NO.	法兰型号 FLANGE SIZE	胶管 HOSE BORE		尺寸 DIMENSIONS				
		公称内径 DN	标号 DASH	A	C	D	H	L
87693-12-12	3/4"	20	12	75	41.3	32	66	8.76
87693-16-12	1"	20	12	75	47.6	38	68	9.53
87693-16-16	1"	25	16	88.9	47.6	38	73.5	9.53
87693-20-16	1.1/4"	25	16	88.9	54	44	78.5	10.29
87693-20-20	1.1/4"	32	20	105.8	54	44	86.5	10.29
87693-24-20	1.1/2"	32	20	105.8	63.5	51	89.5	12.57
87693-24-24	1.1/2"	40	24	124.2	63.5	51	103	12.57
87693-32-24	2"	40	24	124.2	79.4	67	103	12.57
87693-32-32	2"	50	32	150.3	79.4	67	123.3	12.57

1852 CDE Taft Avenue, Pasay City Philippines
T (02) 522-8256 / 0949 2003 288
Email: genesisequipt@gmail.com
<http://genesishydraulics.ph/>

GENESIS HOSE AND FITTINGS

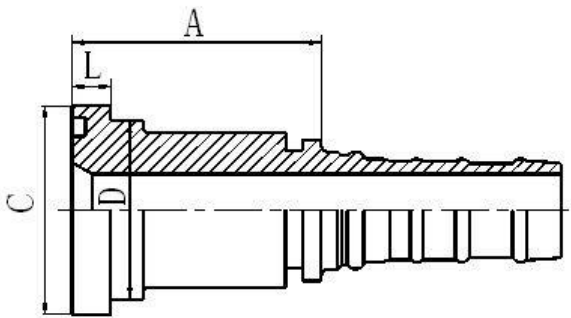
法兰 9000 PSI



87912
法兰 9000 PSI
FLANGE 9000 PSI

代号 PART NO.	法兰型号 FLANGE SIZE	胶管 HOSE BORE		尺寸 DIMENSIONS				选中
		公称内径 DN	标号 DASH	A	C	D	L	
87912-12-12	3/4"	20	12	57.8	41.3	32	14.3	<input type="checkbox"/>
87912-16-12	1"	20	12	62.3	47.6	38	14.3	<input type="checkbox"/>
87912-16-16	1"	25	16	63	47.6	38	14.3	<input type="checkbox"/>
87912-20-16	1.1/4"	25	16	70	54	44	14.3	<input type="checkbox"/>
87912-20-20	1.1/4"	32	20	70.5	54	44	14.3	<input type="checkbox"/>
87912-24-20	1.1/2"	32	20	77	63.5	51	14.3	<input type="checkbox"/>
87912-24-24	1.1/2"	40	24	77	63.5	51	14.3	<input type="checkbox"/>

SAE 法兰 9000 PSI



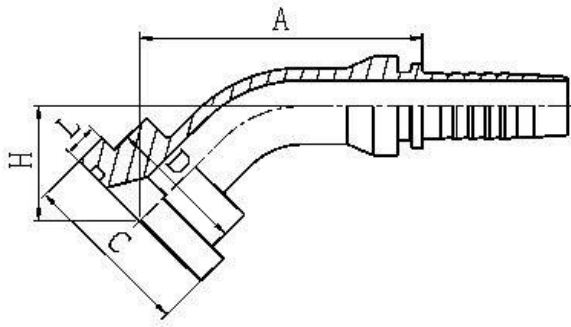
87913
SAE 法兰 9000 PSI
SAE FLANGE 9000 PSI

代号 PART NO.	法兰型号 FLANGE SIZE	胶管 HOSE BORE		尺寸 DIMENSIONS				选中
		公称内径 DN	标号 DASH	A	C	D	L	
87913-12-12	3/4"	20	12	58.5	41.3	31.7	14.3	<input type="checkbox"/>
87913-16-12	1"	20	12	63	47.6	38	14.3	<input type="checkbox"/>
87913-16-16	1"	25	16	64.4	47.6	38	14.3	<input type="checkbox"/>
87913-20-16	1.1/4"	25	16	66.8	54	43	14.3	<input type="checkbox"/>
87913-20-20	1.1/4"	32	20	73.8	54	43	14.3	<input type="checkbox"/>
87913-24-20	1.1/2"	32	20	80.6	63.5	50.8	14.3	<input type="checkbox"/>
87913-24-24	1.1/2"	40	24	80.7	63.5	50.8	14.3	<input type="checkbox"/>

1852 CDE Taft Avenue, Pasay City Philippines
T (02) 522-8256 / 0949 2003 288
Email: genesisequipt@gmail.com
<http://genesishydraulics.ph/>

GENESIS HOSE AND FITTINGS

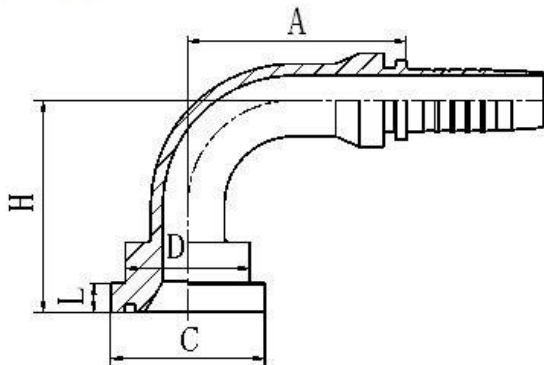
45°法兰 9000 PSI



87942
45°法兰 9000 PSI
45°FLANGE 9000 PSI

代号 PART NO.	法兰型号 FLANGE SIZE	胶管 HOSE BORE		尺寸 DIMENSIONS					选中
		公称内径 DN	标号 DASH	A	C	D	H	L	
87942-12-12	3/4"	20	12	85	41.3	32	35.6	14.3	<input type="checkbox"/>
87942-16-12	1"	20	12	86.1	47.6	38	36.7	14.3	<input type="checkbox"/>
87942-16-16	1"	25	16	94	47.6	38	37.5	14.3	<input type="checkbox"/>
87942-20-20	1.1/4"	32	20	104.9	54	44	42.2	14.3	<input type="checkbox"/>
87942-24-20	1.1/2"	32	20	105.7	63.5	51	43	14.3	<input type="checkbox"/>
87942-24-24	1.1/2"	40	24	117.6	63.5	51	46.9	14.3	<input type="checkbox"/>

90°法兰 9000 PSI



87992
90°法兰 9000 PSI
90°FLANGE 9000 PSI

代号 PART NO.	法兰型号 FLANGE SIZE	胶管 HOSE BORE		尺寸 DIMENSIONS					选中
		公称内径 DN	标号 DASH	A	C	D	H	L	
87992-12-12	3/4"	20	12	67.5	41.3	32	71.5	14.3	<input type="checkbox"/>
87992-16-12	1"	20	12	67.5	47.6	38	73	14.3	<input type="checkbox"/>
87992-16-16	1"	25	16	79	47.6	38	78.5	14.3	<input type="checkbox"/>
87992-20-20	1.1/4"	32	20	93.5	54	44	90.5	14.3	<input type="checkbox"/>
87992-24-20	1.1/2"	32	20	93.5	63.5	51	91.5	14.3	<input type="checkbox"/>
87992-24-24	1.1/2"	40	24	109.4	63.5	51	105	14.3	<input type="checkbox"/>

2.19
3.21
3.23
3.41

1852 CDE Taft Avenue, Pasay City Philippines
 T (02) 522-8256 / 0949 2003 288
 Email: genesisequipt@gmail.com
<http://genesishydraulics.ph/>

GENESIS HOSE AND FITTINGS

4.41
4.41
5.62
2.81
4.01
4.41
5.62
5.62
6.82
2.81
4.01
4.41
5.62
5.62
6.82

1852 CDE Taft Avenue, Pasay City Philippines
T (02) 522-8256 / 0949 2003 288
Email: genesisequipt@gmail.com
<http://genesishydraulics.ph/>